

# CertainTeed® Ridge Vent

12" Unfiltered Shingle-Over Ridge Vent



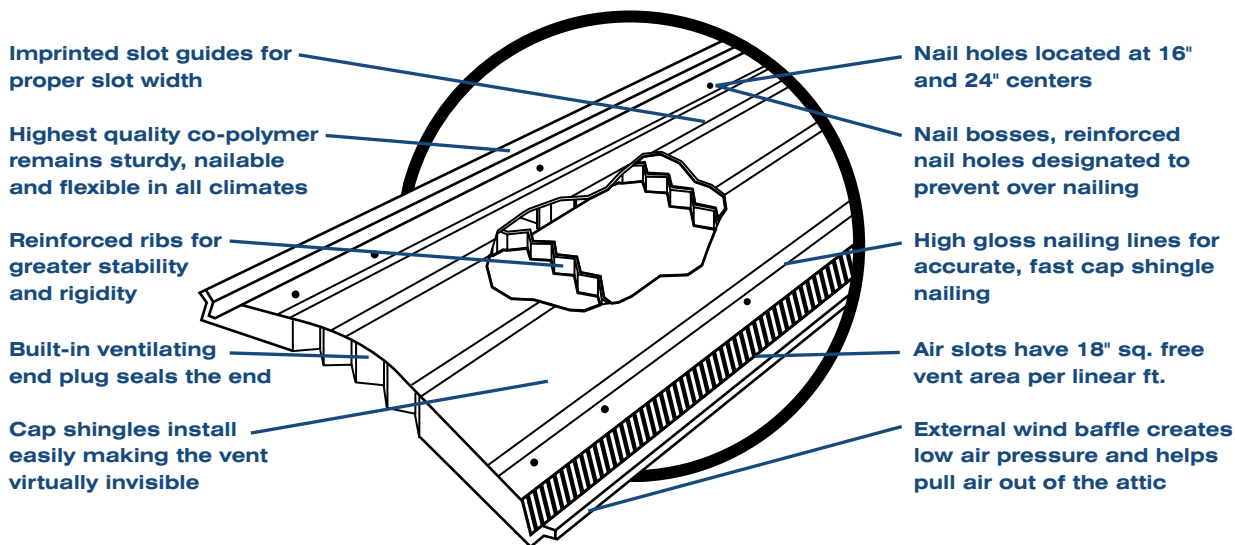
## Takes Ridge Ventilation to a New Level of Performance

CertainTeed® Ridge Vent installs on the peak of the roof, allowing exhaust ventilation along the entire ridge, end-to-end. With a 12" width, matching shingles can be installed over the vent, allowing the vent to appear almost invisible from the ground. Intake vents must be installed to provide proper airflow. CertainTeed Ridge Vents combined with sufficient intake vents, such as CertainTeed Intake Vent, are the most efficient and effective systems you can install.

**CertainTeed**  
SAINT-GOBAIN

# CertainTeed® Ridge Vent

The low-profile, shingle-over look of CertainTeed® Ridge Vent creates a clean, uncluttered roofline.



## Features

- Designed with an external baffle to deflect wind and weather over the vent to help protect the attic from rain and snow infiltration. The external baffle creates low pressure over the vent openings to "pull" air from the attic
- 18" sq. of net free area per linear foot
- CertainTeed Ridge Vent is pre-formed to a 4/12 pitch, and fits pitches from 3/12 to 16/12
- Limited Lifetime Warranty and 5-Year SureStart™ Protection
- CertainTeed Ridge Vent comes with thirty 3-inch ring shank, galvanized roofing nails bagged and taped to each 4-foot piece inside the carton
- Ten 4' pieces per box / Weight: 24 lbs. / Part #95984 Model #VVPN / Color: Black
- Includes nails

## Benefits

- Works year-round to ventilate the attic
- Provides evenly distributed ventilation along the entire underside of the roof
- Slim design for visual appeal
- Provides a higher volume of airflow per square foot of attic area than any other fixed-vent system
- Design maximizes airflow across the entire underside of roof sheathing
- Changes in wind direction have no significant effect on vent performance
- Wind driven rain resistant to 110 MPH

VenturiVent Plus is Manufactured for CertainTeed Corporation by Air Vent, Inc., Orrick, MO.



## ASK ABOUT ALL OF OUR OTHER CERTAINTEED® PRODUCTS AND SYSTEMS:

ROOFING • SIDING • TRIM • DECKING • RAILING • FENCE • FOUNDATIONS  
GYPSUM • CEILINGS • INSULATION • PIPE

[www.certainteed.com](http://www.certainteed.com) <http://blog.certainteed.com>

CertainTeed Corporation  
P.O. Box 860  
Valley Forge, PA 19482

Professional: 800-233-8990  
Consumer: 800-782-8777

© 10/13 CertainTeed Corporation, Printed in the U.S.A.  
Code No. 20-20-3455